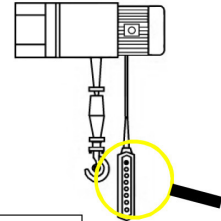


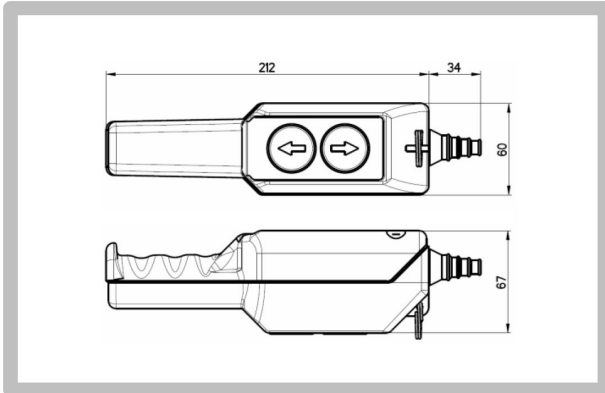
Characteristics:

- Bi-directional, mechanically interlocked
- IP 65 double insulation IEC/EN60529
- Laser engraved symbols comply with EN60204-1, FEM 9.941
- Shock proof and heat resistant

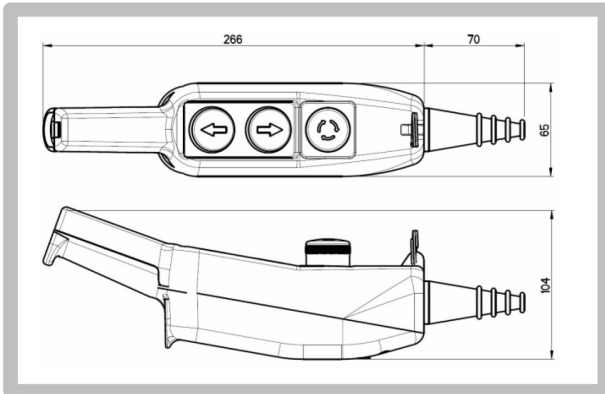


PICTURE	LAYOUT	CONFIGURATION	CODE	CONTACT TYPE		WEIGHT [gr]
				NO	NC	
		SINGLE SPEED (* TILTING BUTTON 16A – 250Vac ½ HP)	P02.RM	1 NO*	1 NO*	230
		SINGLE SPEED	P02.1	NO	NO	230
			P02.2	NO	NO	250
			P02.4	NO	NO	250
		(* HIGH POWER CONTACTS DIRECT MOTOR CONTROL 1Kw 1ph)	P02.CD	NO (*)	NO (*)	230
	TWO SPEED	P02.D2	NO	NO	250	
		SINGLE SPEED	P03.1	NO	NO	440
			P03.2	NO	NO	450
			P03.3	NO	NO	460
		(* HIGH POWER CONTACTS DIRECT MOTOR CONTROL 1Kw 1ph)	P03CD	NO (*)	NO (*)	460
		TWO SPEED	P03D2	NO	NO	460
		SINGLE SPEED	HP03	NO	NO	330
		TWO SPEED	HP03.D2	NO	NO	350
		SINGLE SPEED	DC30	3 NO 1 NC	3 NO 1 NC (*)	600
			DC30.RG	4 NO	4 NO (*)	600
		(* Ith 25A EXTRA HIGH POWER CONTACTS BLOCK FOR DIRECT MOTOR CONTROL: 2.2kW 1ph / 4kW 3ph	DC30.GE	3 NO 1 NC	3 NO 1 NC (*)	600
			DC30D2	2 NO 2 NC	2 NO 2 NC (*)	650

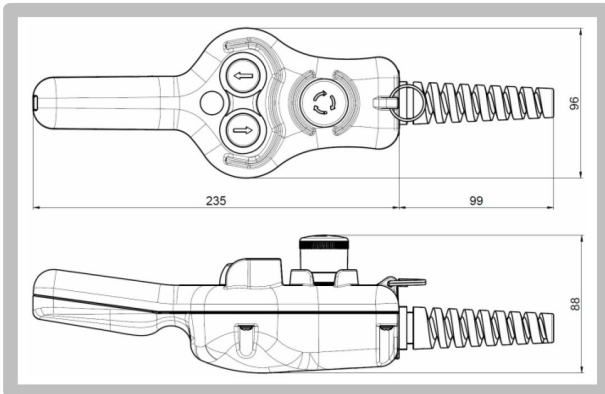
P02



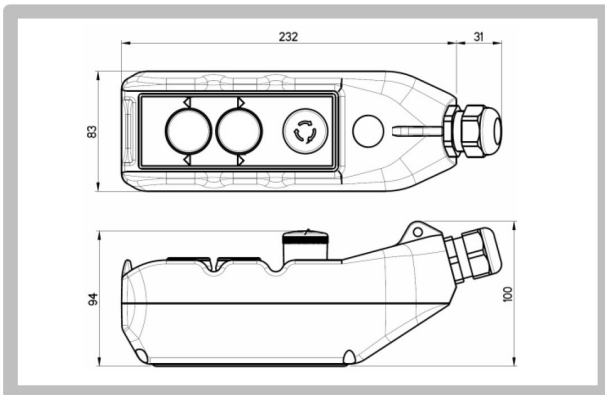
P03






HP03



DC30



General characteristics		P02 – P03 – HP03 – PL – PLBN – TLP							DC30		
In conformity to standards		IEC / EN60947-5-1							IEC / EN60947-3		
Material		P02	P03	HP03	PL	PLB	TLP	ABS			
		PP	ABS	ABS	ABS	ABS	PP				
Material group		II							II		
Pollution class		3							3		
Climate temperature	operating	-25°C + 70°C							-25°C + 70°C		
	storage	-30°C + 70°C							-30°C + 70°C		
Climate resistance	IEC68 part 2-3	hot damp							hot damp		
	IEC68 part 2-30	unsettled hot damp							unsettled hot damp		
Cable entry		<ul style="list-style-type: none"> ▪ P02 – P03: rubber cable sleeve Ø7...18mm ▪ PL – PLB: rubber cable sleeve Ø9...24mm ▪ HP03: spiral cable gland M20 – TLP: cable gland M20 							cable gland M25		
Electrical characteristics contact blocks		P02 – P03 – HP03 – PL – PLBN – TLP							DC30		
Markings											
Rated insulation voltage [Ui]		690V							500V		
Rated thermal current [Ith]		16A							25A		
Rated impulse withstand voltage [Uimp]		4kV							4kV		
Frequency		50Hz – 50/60 Hz type PCW (HP03-TLP)							50Hz		
Rated operating current [Ie]											
AC-15 alternate current		(V)	24	60	110	240	400	440	500	690	
	type: PL004.. P02/P03/DC30 e-stop/PL/PLBN	(A)	16	12	8	6	4	3.5	3	1	-
	type: PCW.. HP03-TLP	(A)	10	8	6	5	4	4	4	2	-
DC-13 direct current		(V)	24	48	60	110	220	250			
	type: PL004.. P02/P03/DC30 e-stop/PL/PLBN	(A)	2	1.2	0.85	0.4	0.25	-			-
	type: PCW.. HP03-TLP	(A)	2	2	1	0.4	-	0.4			-
AC-3 alternate current	1phase-2poles 230V-400V	-							2.2kW		
	3phase-3poles 230V-400V	-							3kW		
Conditional short circuit withstand current		1000A							1000A		
Fuse rating		gG 10A - 500V							aM 12A - 500V		
Contact insulation resistance		≤ 25mΩ							-		
Switching mechanism	type: PL004.. P02/P03/DC30 e-stop/PL/PLBN	slow break double gap contacts single pad							slow break double gap contacts single pad		
	type: PCW.. HP03-TLP	slow break double gap contacts three pads									
Positive operation		NC contact block 							-		
Terminal type	type: PL004.. P02/P03/DC30 e-stop/PL/PLBN	M3.5 screw							M3.5 screw		
	type: PCW.. HP03-TLP	spring cage terminal									
Terminal capacity	type: PL004.. P02/P03/DC30 e-stop/PL/PLBN	No. 1 or 2 flexible and solid conductor min 1 max 2.5 mm ²							No. 1 or 2 flexible and solid conductor min 1 max 2.5 mm ²		
	type: PCW.. HP03-TLP	No. 1 or 2 flexible and solid conductor min 0.5 max 2.5 mm ²									
UL508 characteristics											
General use	600V ac	16A							-		
Designation code (HD) Heavy Duty		A600-Q600							-		

